

AMENDMENTS TO THE DRAWINGS

Appended hereto as an attachment is a replacement formal drawing sheet to replace sheet 3 of the drawings that was previously presented. The attached replacement sheet adds the lead line for reference numeral 62 in Figure 9.

Also appended hereto is a copy of the previously-presented drawing sheet 3 showing in red the drawing change that is reflected in the attached replacement drawing sheet.

Approval of the drawing change shown and acceptance of the enclosed replacement drawing sheet incorporating that change is respectfully requested.

REMARKS

In this Amendment sheet 3 of the drawings has been amended to include the lead line for reference numeral 62 in Figure 9, to respond to and to overcome the drawing objection.

Claim 14 has been canceled without prejudice or disclaimer. All of the remaining claims, claims 1, 3 through 9, and 11 through 13 were previously allowed. Accordingly, this application is now in condition for allowance and a Notice of Allowance is in order and is respectfully solicited.

The examiner is cordially invited to telephone the undersigned attorney if this amendment raises any questions, so that any such question can be quickly resolved in order that the present application can proceed toward allowance.

Respectfully submitted,



Alfred J. Mangels
Reg. No. 22,605
4729 Cornell Road
Cincinnati, Ohio 45241
Tel.: (513) 469-0470

May 31, 2006

UIPE IAP/3
JUN 05 2006
PATENT & TRADEMARK OFFICE

3/3

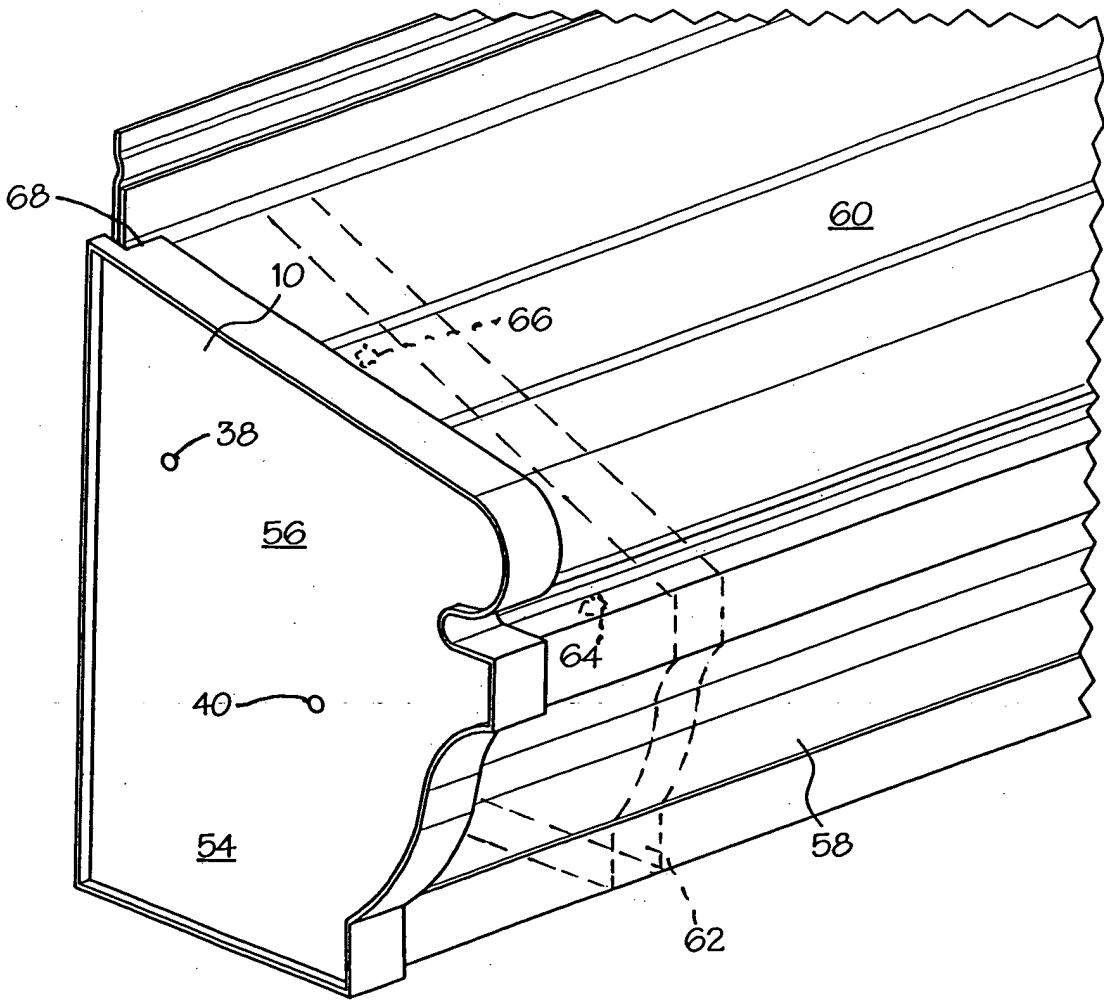


FIG. 9